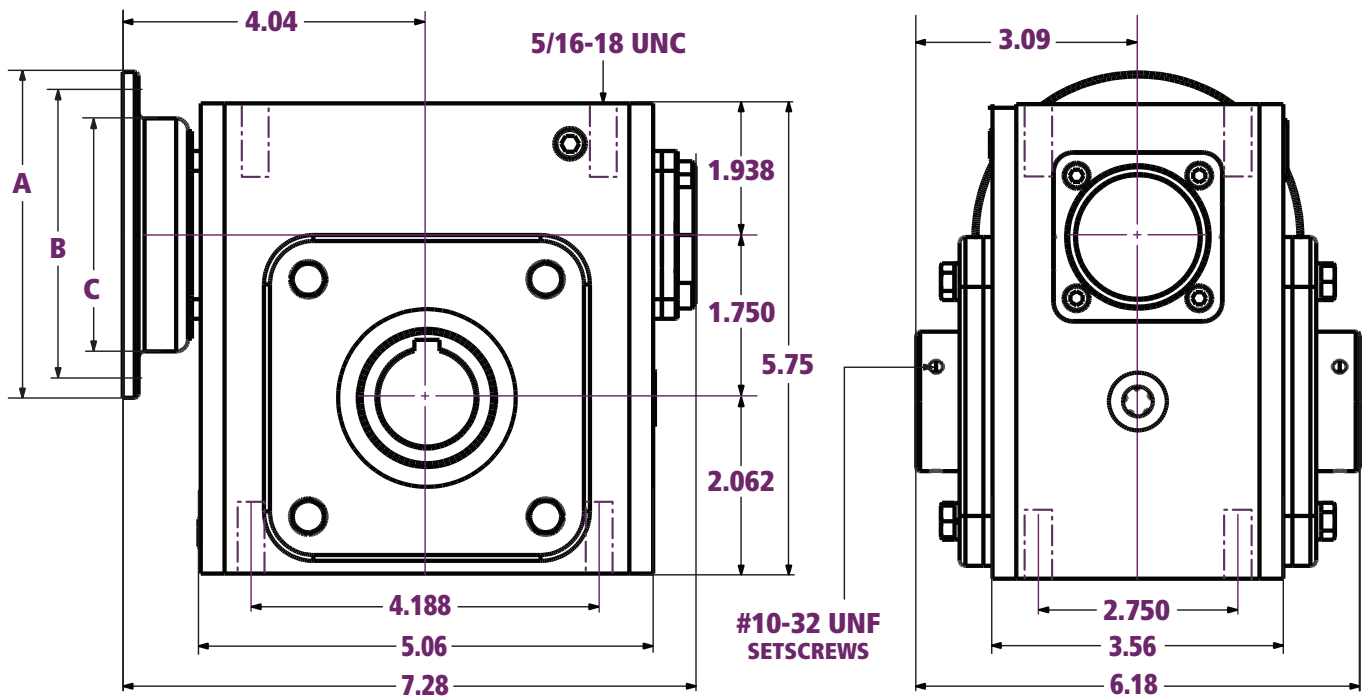




# XH175 Dimensions

All dimensions listed in inches



## Motor Options & Dimensions (in)

NEMA Frame	Motor Shaft Dia. (in)	A	B	C
		OD Flange	Bolt Circle	Pilot Bore
56C	0.625	6.50	5.88	4.5

## Output Bushing Kits

Output Bushing Diameter (in)
5/8
3/4

## Output Hollow Bore

Output Keyway (in)	Output Bore (in)
1/4 x 1/8	1.000

## Ratios

Nominal Ratios	Exact Ratios
5:1	5.3:1
10:1	10.3:1
15:1	14.5:1
20:1	19.5:1
30:1	30.0:1
40:1	40.0:1
50:1	50.0:1
60:1	60.0:1

## Efficiency

Nominal Ratios	Efficiency (%)
5:1	~ 93
10:1	~ 88
15:1	~ 85
20:1	~ 83
30:1	~ 69
40:1	~ 62
50:1	~ 59
60:1	~ 52

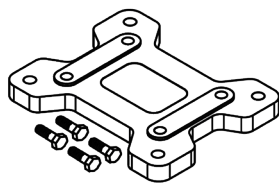
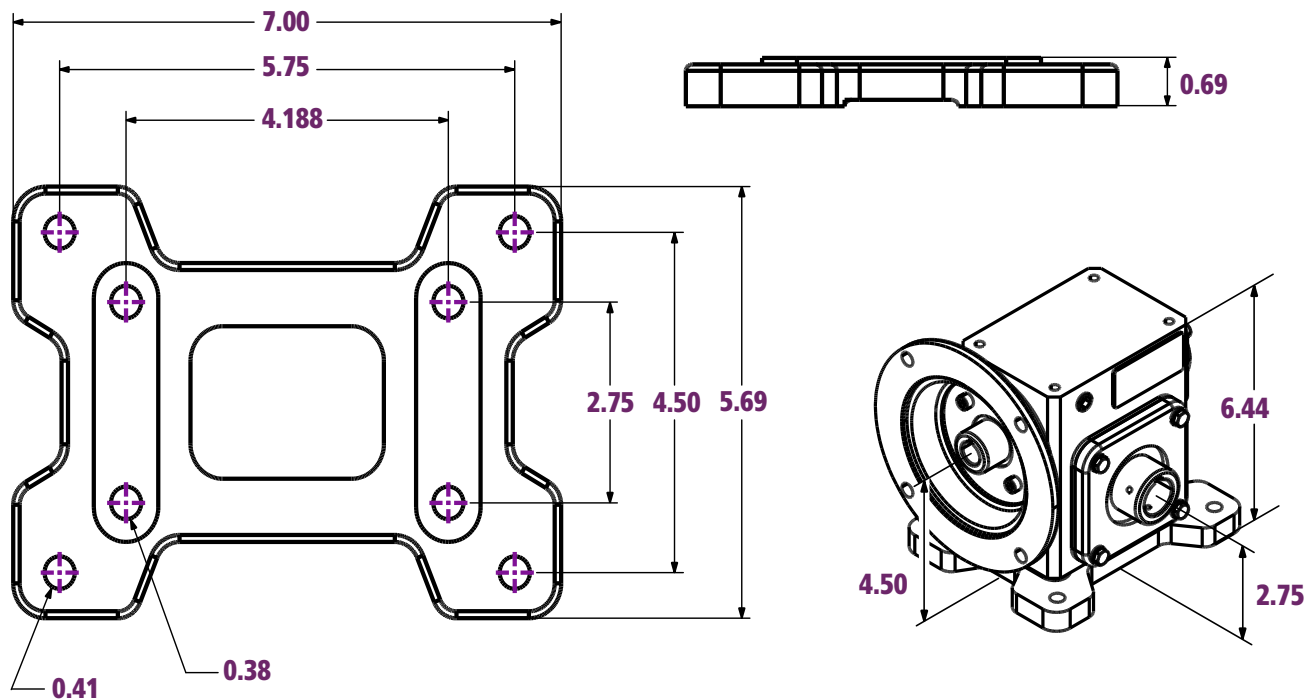
## Specifications

Center Distance (in)	Weight (lbs)	Est. Oil Fill Amount* (oz)
1.750	19.8	11.8

\*For Position 1.

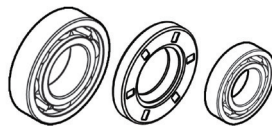
# XH175 Accessories

## and X175 Base Kit Dimensions



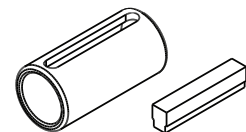
**Foot Mounted Base Kit**

XBK175



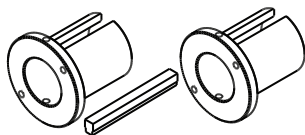
**Component Repair Kit**

XHRK175



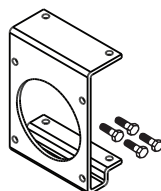
**Input Quill Adapter Option**

None



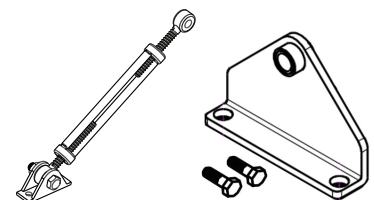
**Output Bushing Kits\***

VH175  
(See other page for bore sizes)



**Output Bracket Kit\***

XOB175



**Torque Arm Kit\***

XTA175

\*Made to order.